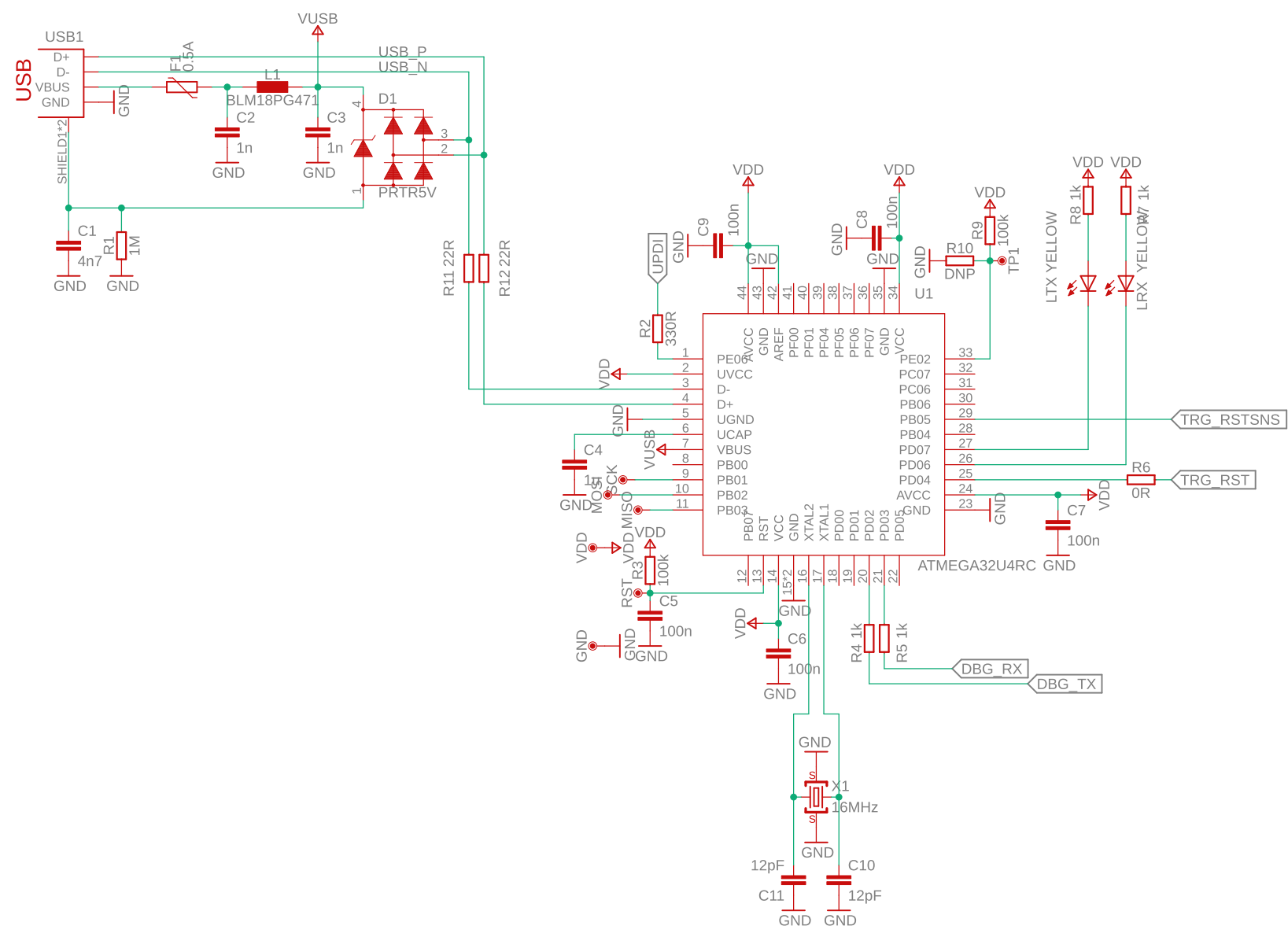


Reference Designs ARE PROVIDED "AS IS" AND "WITH ALL FAULTS." ARDUINO SA DISCLAIMS ALL OTHER WARRANTIES, EXPRESS OR IMPLIED, REGARDING PRODUCTS, INCLUDING BUT NOT LIMITED TO, ANY IMPLIED WARRANTIES OF MERCHANTABILITY OR FITNESS FOR A PARTICULAR PURPOSE. ARDUINO SA MAY MAKE CHANGES TO SPECIFICATIONS AND PRODUCT DESCRIPTIONS AT ANY TIME, WITHOUT NOTICE. THE CUSTOMER MUST NOT RELY ON THE ABSENCE OF CHARACTERISTICS OR INSTRUCTIONS MARKED "RESERVED" OR "UNDEFINED." ARDUINO SA RESERVES THE RIGHT TO CHANGE SPECIFICATIONS AND INSTRUCTIONS WITHOUT NOTICE. THE PRODUCT INFORMATION ON THE ARDUINO SA WEBSITE IS SUBJECT TO CHANGE WITHOUT NOTICE. DO NOT FINALIZE A DESIGN WITH THIS INFO. ARDUINO AND OTHER ARDUINO BRANDS AND LOGOS ARE TRADEMARKS OF ARDUINO SA. ALL ARDUINO SA TRADEMARKS CANNOT BE USED WITHOUT OWNER'S FORMAL PERMISSION.

# Cryptochip



|                  |  |
|------------------|--|
| Arturo Guadalupi |  |
| UNOWiFiREV2V4.0  |  |
| not saved!       |  |
| Sheet: 1/1       |  |



Reference Designs ARE PROVIDED "AS IS" AND "WITH ALL FAULTS". Arduino SA DISCLAIMS ALL OTHER WARRANTIES, EXPRESS OR IMPLIED, REGARDING PRODUCTS, INCLUDING BUT NOT LIMITED TO, ANY IMPLIED WARRANTIES OF MERCHANTABILITY OR FITNESS FOR A PARTICULAR PURPOSE.

Arduino SA may make changes to specifications and product descriptions at any time, without notice. The Customer must not rely on the absence or characteristics of any features or instructions marked "reserved" or "undefined". Arduino SA reserves these for future definition and shall have no responsibility whatsoever for conflicts or incompatibilities arising from future changes to them. The product information on the Web Site or Materials is subject to change without notice. Do not finalize a design with this info.

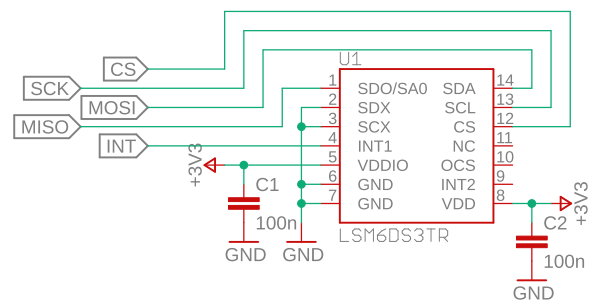
ARDUINO and other Arduino brands and logos and Trademarks of Arduino SA. All Arduino SA Trademarks cannot be used without owner's formal permission.

**mEDBG**

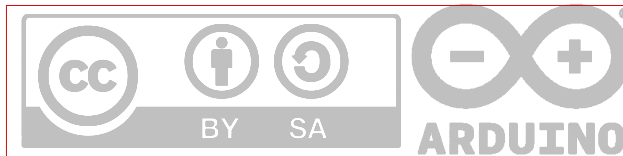
This work is licensed under a Creative Commons Attribution-ShareAlike 4.0 International License.



Arturo Guadalupi  
UNOWiFiREV2V4.0  
not saved!  
Sheet: 1/1



## IMU 6DOF



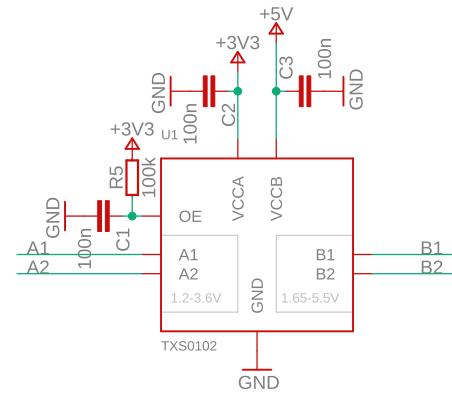
Arturo Guadalupi

UNOWiFiREV2V4.0

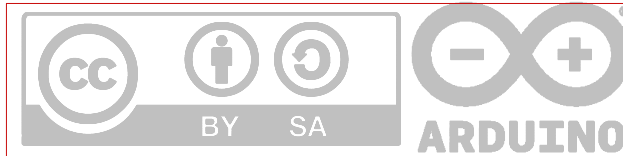
not saved!

Sheet: 1/1

Reference Designs ARE PROVIDED "AS IS" AND "WITH ALL FAULTS." ARDUINO SA DISCLAIMS ALL OTHER WARRANTIES, EXPRESS OR IMPLIED, REGARDING PRODUCTS, INCLUDING BUT NOT LIMITED TO, ANY IMPLIED WARRANTIES OF MERCHANTABILITY OR FITNESS FOR A PARTICULAR PURPOSE. ARDUINO SA MAY MAKE CHANGES TO SPECIFICATIONS AND PRODUCT DESCRIPTIONS AT ANY TIME, WITHOUT NOTICE. THE CUSTOMER MUST NOT RELY ON THE ABSENCE OF CHARACTERISTICS OR INSTRUCTIONS MARKED "RESERVED" OR "UNDEFINED." ARDUINO SA RESERVES THE RIGHT TO MAKE CHANGES TO THE PRODUCT INFORMATION ON THE ARDUINO WEBSITE OR MATERIALS IS SUBJECT TO CHANGE WITHOUT NOTICE. DO NOT FINALIZE A DESIGN WITH THIS INFO. ARDUINO AND OTHER ARDUINO BRANDS AND LOGOS ARE TRADEMARKS OF ARDUINO SA. ALL ARDUINO SA TRADEMARKS CANNOT BE USED WITHOUT OWNER'S FORMAL PERMISSION.

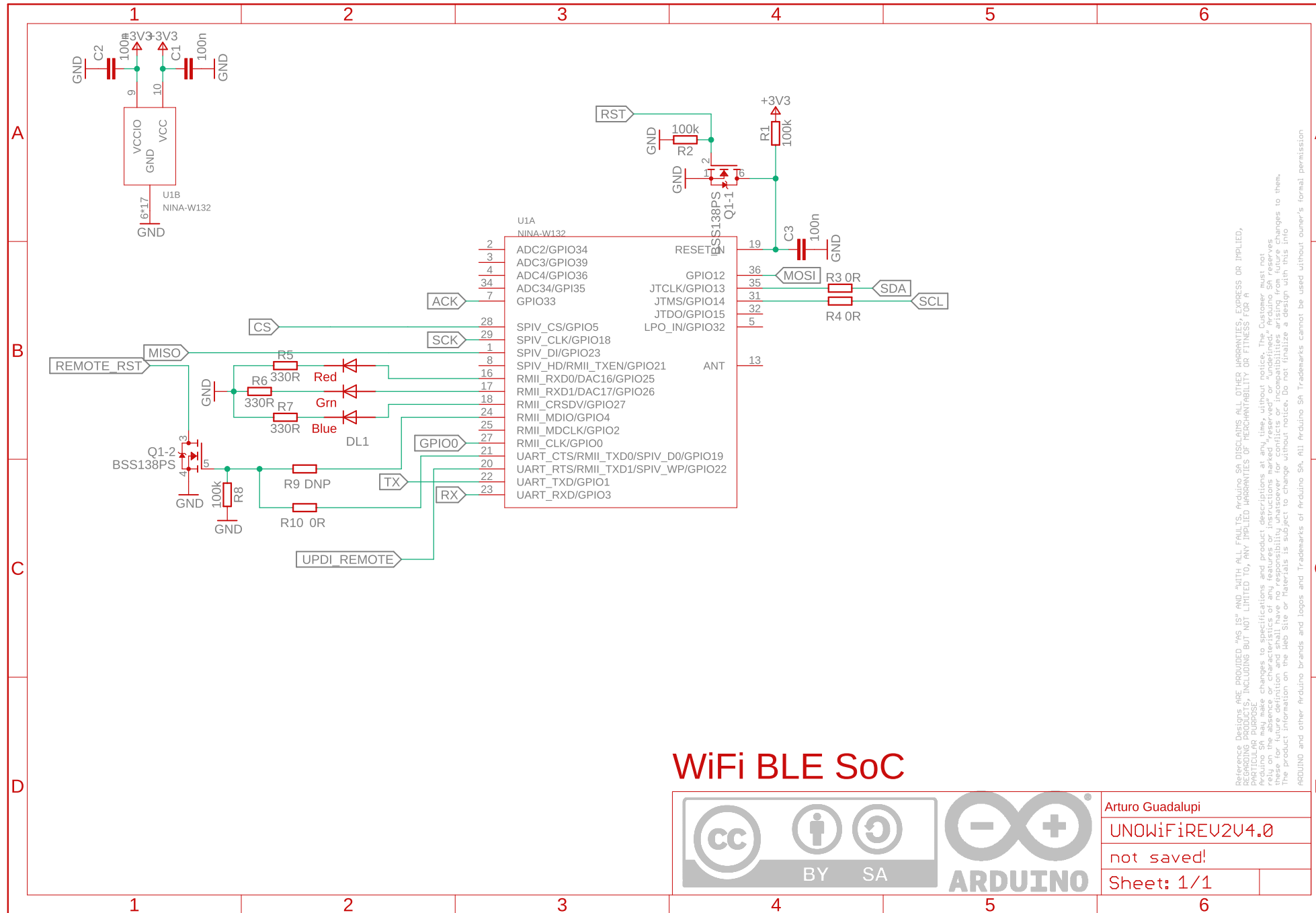


## 2 Bits Level Shifter

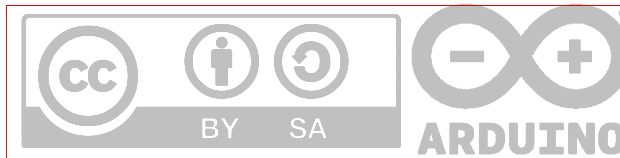


Arturo Guadalupi  
 UNOWiFiREV2V4.0  
 not saved!  
 Sheet: 1/1

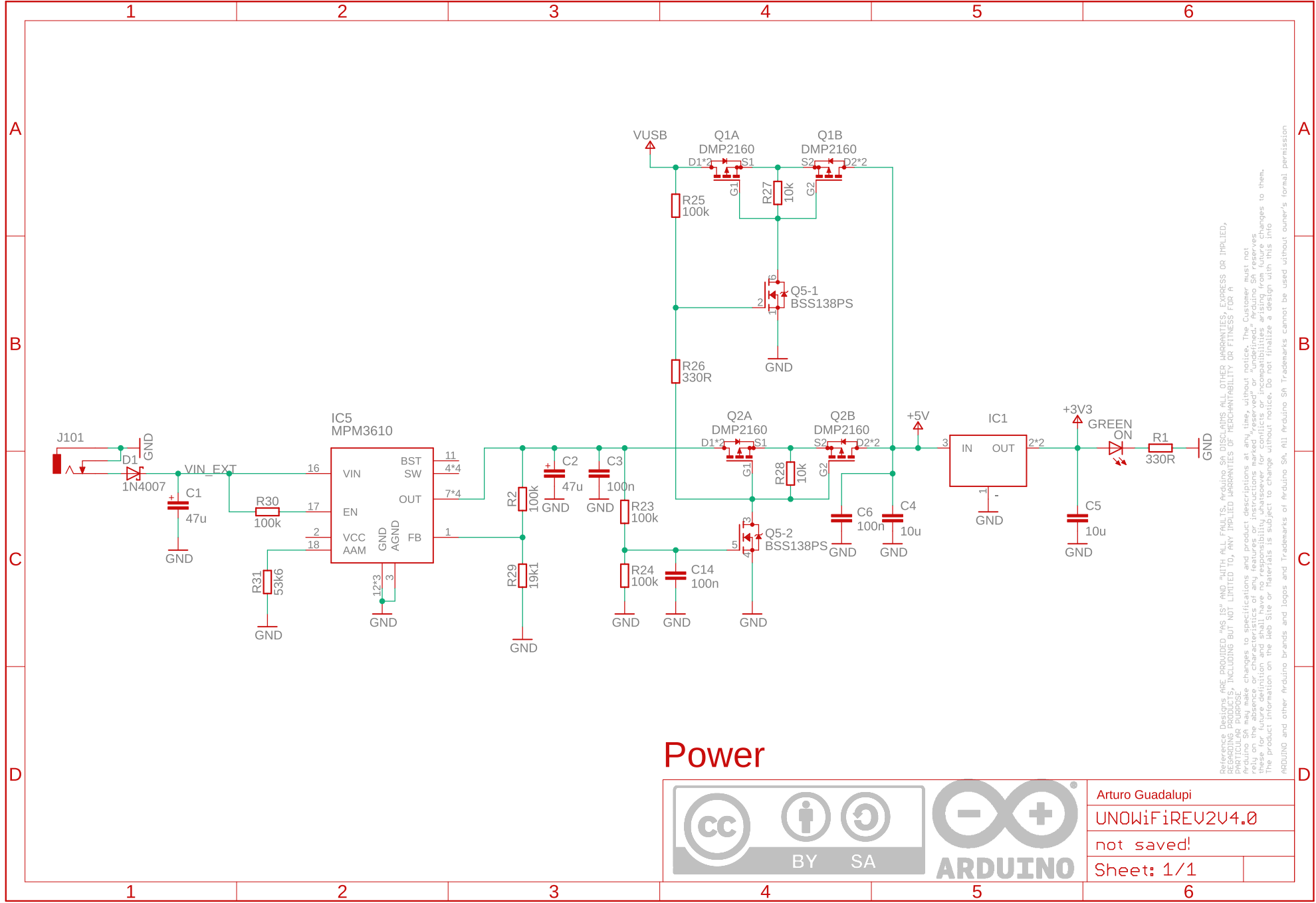
Reference Designs ARE PROVIDED "AS IS" AND "WITH ALL FAULTS." ARDUINO SA DISCLAIMS ALL OTHER WARRANTIES, EXPRESS OR IMPLIED, REGARDING PRODUCTS, INCLUDING BUT NOT LIMITED TO, ANY IMPLIED WARRANTIES OF MERCHANTABILITY OR FITNESS FOR A PARTICULAR PURPOSE. ARDUINO SA MAY MAKE CHANGES TO SPECIFICATIONS AND PRODUCT DESCRIPTIONS AT ANY TIME, WITHOUT NOTICE. THE CUSTOMER MUST NOT RELY ON THE ABSENCE OF CHARACTERISTICS OR ANY FEATURES OR INSTRUCTIONS MARKED "RESERVED" OR "UNDEFINED." ARDUINO SA RESERVES THE RIGHT TO MAKE CHANGES TO ANY PRODUCT WITHOUT NOTICE. THE PRODUCT INFORMATION ON THE ARDUINO SA WEBSITE IS SUBJECT TO CHANGE WITHOUT NOTICE. DO NOT FINALIZE A DESIGN WITH THIS INFO. ARDUINO AND OTHER ARDUINO BRANDS AND LOGOS ARE TRADEMARKS OF ARDUINO SA. ALL ARDUINO SA TRADEMARKS CANNOT BE USED WITHOUT OWNER'S FORMAL PERMISSION.



## WiFi BLE SoC



Arturo Guadalupi  
 UNOWiFiREV2V4.0  
 not saved!  
 Sheet: 1/1

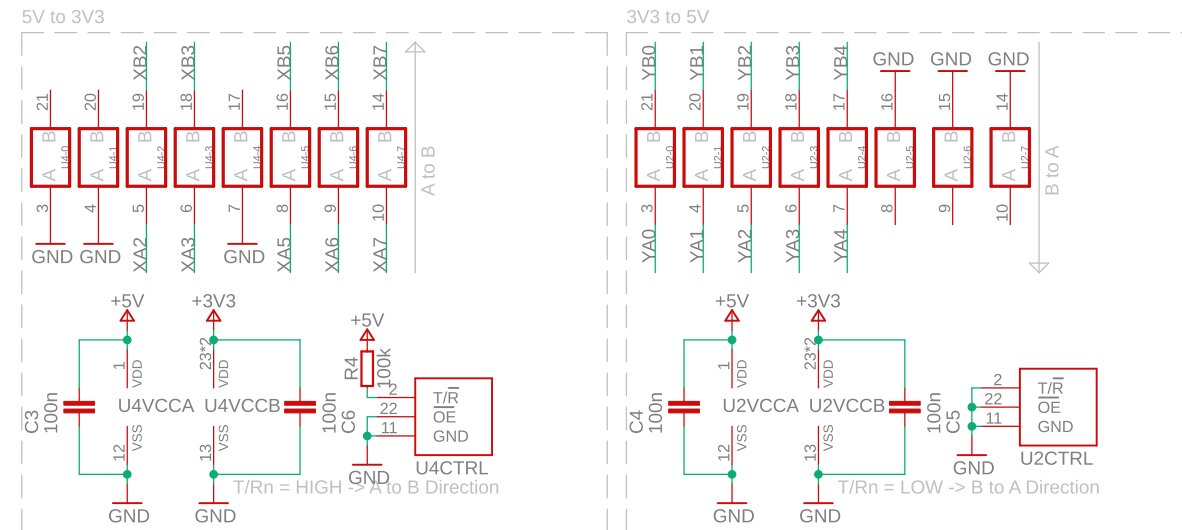


Reference Designs ARE PROVIDED "AS IS" AND "WITH ALL FAULTS." ARDUINO SA DISCLAIMS ALL OTHER WARRANTIES, EXPRESS OR IMPLIED, REGARDING PRODUCTS, INCLUDING BUT NOT LIMITED TO, ANY IMPLIED WARRANTIES OF MERCHANTABILITY OR FITNESS FOR A PARTICULAR PURPOSE. ARDUINO SA MAY MAKE CHANGES TO SPECIFICATIONS AND PRODUCT DESCRIPTIONS AT ANY TIME, WITHOUT NOTICE. THE CUSTOMER MUST NOT RELY ON THE ABSENCE OF CHARACTERISTICS OR INSTRUCTIONS MARKED "RESERVED" OR "UNDEFINED." ARDUINO SA RESERVES THE RIGHT TO MAKE CHANGES TO THE PRODUCT INFORMATION ON THE WEB SITE OR MATERIALS IS SUBJECT TO CHANGE WITHOUT NOTICE. DO NOT FINALIZE A DESIGN WITH THIS INFO. ARDUINO AND OTHER ARDUINO BRANDS AND LOGOS AND TRADEMARKS OF ARDUINO SA. ALL ARDUINO SA TRADEMARKS CANNOT BE USED WITHOUT OWNER'S FORMAL PERMISSION.

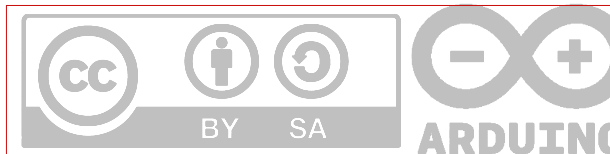
### Power

|  |  |                  |  |
|--|--|------------------|--|
|  |  |                  |  |
|  |  | Arturo Guadalupi |  |
|  |  | UNOWiFiREV2V4.0  |  |
|  |  | not saved!       |  |
|  |  | Sheet: 1/1       |  |





## 16 Bits Level Shifter



Arturo Guadalupi  
 UNOWiFiREV2V4.0  
 not saved!  
 Sheet: 1/1

Reference Designs ARE PROVIDED "AS IS" AND "WITH ALL FAULTS." ARDUINO SA DISCLAIMS ALL OTHER WARRANTIES, EXPRESS OR IMPLIED, REGARDING PRODUCTS, INCLUDING BUT NOT LIMITED TO, ANY IMPLIED WARRANTIES OF MERCHANTABILITY OR FITNESS FOR A PARTICULAR PURPOSE. ARDUINO SA MAY MAKE CHANGES TO SPECIFICATIONS AND PRODUCT DESCRIPTIONS AT ANY TIME, WITHOUT NOTICE. THE CUSTOMER MUST NOT RELY ON THE ABSENCE OF CHARACTERISTICS OR INSTRUCTIONS MARKED "RESERVED" OR "UNDEFINED." ARDUINO SA RESERVES THE RIGHT TO MODIFY OR DISCONTINUE PRODUCTS AND SERVICES WITHOUT NOTICE. THE PRODUCT INFORMATION ON THE ARDUINO SA WEBSITE IS SUBJECT TO CHANGE WITHOUT NOTICE. DO NOT FINALIZE A DESIGN WITH THIS INFO. ARDUINO AND OTHER ARDUINO BRANDS AND LOGOS ARE TRADEMARKS OF ARDUINO SA. ALL ARDUINO SA TRADEMARKS CANNOT BE USED WITHOUT OWNER'S FORMAL PERMISSION.